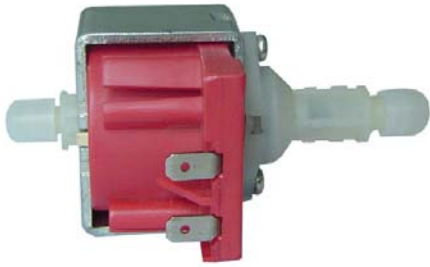


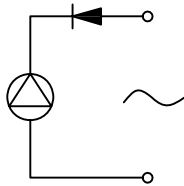
ZHP-0929 Solenoids Pump



总重量 Total Weight: 450g
应用范围: 用于咖啡机、清洁机等
APPLICATION: Coffee machine And Cleaner ect

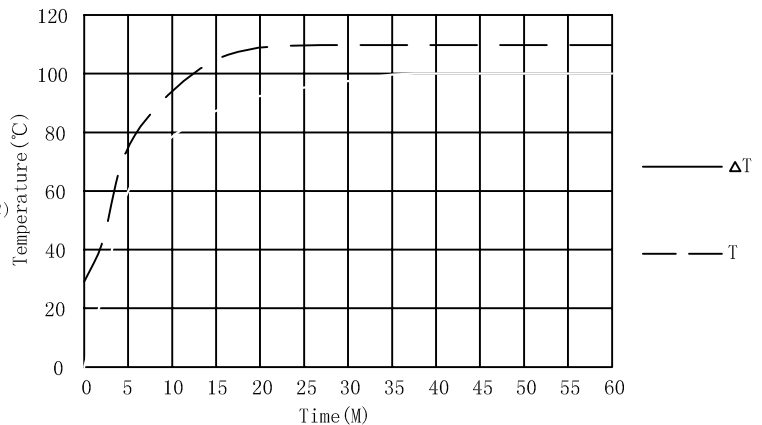
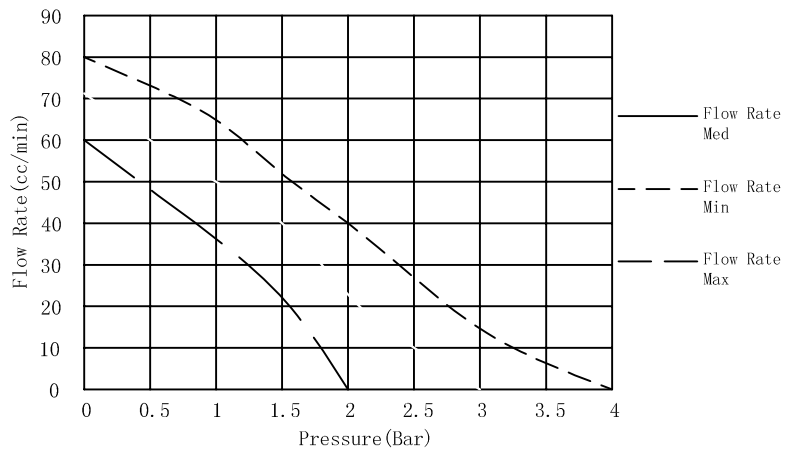
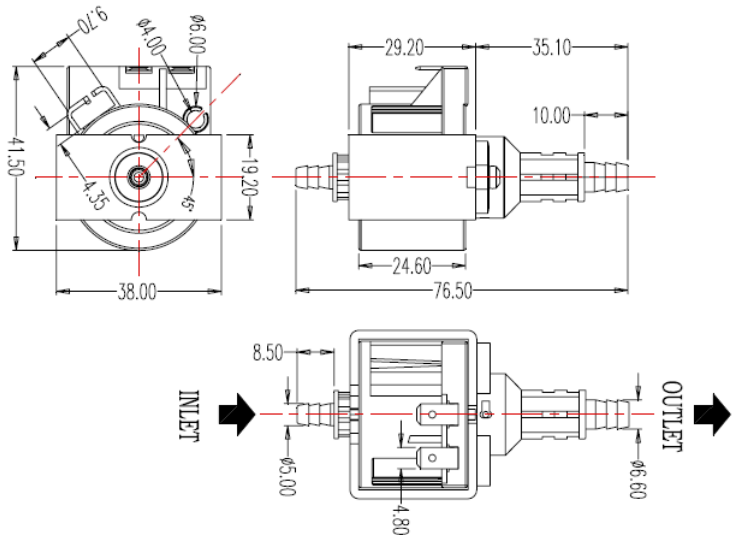
综合特性 GENERAL FEATURES

电压 Voltage	AC120V AC120V
绝缘等级 Insulation Class	F级 class F
电气连接 ELECTRICAL CONNECTION	(交流) 通过一个二极管 ($\geq 1A$) 此连接必须按照图示 (AC) through a diode ($\geq 1A$), the connection has to be made as shown on diagram (直流) 需要使用一个方波脉冲转换器 (DC) requires the use of a square waves impulse converter



空载时间 NONLOADED TIME	≤ 3 分钟 ≤ 3 minute
寿命 WORKLIFE	连续工作500小时 above 500 work hours
活塞和弹簧 PISTON AND SPRING	高耐腐蚀不锈钢 stainless steel high corrosion resistance
流体 FLUIDS	水和无腐蚀性介质 water and non corrosive media
温升 TEMPERATURE	电磁水泵外壳的温升不超过115°C (环境温度为25°C)
功率 WATTAGE	$\leq 18W$ $\leq 18W$
抽吸距离 SUCTION PREVALENCE	泵体与液面高度差按120±10cm, 进水侧胶 管长为200±10cm, 抽吸出水时间 ≤ 20 Sec Height (Pump)-Height (Liquid level) =120±10cm, the length of inlet host is 200±10cm, the time of pump water ≤ 20 Sec

类型: 水泵 TYPE: Water Pump



ZHP